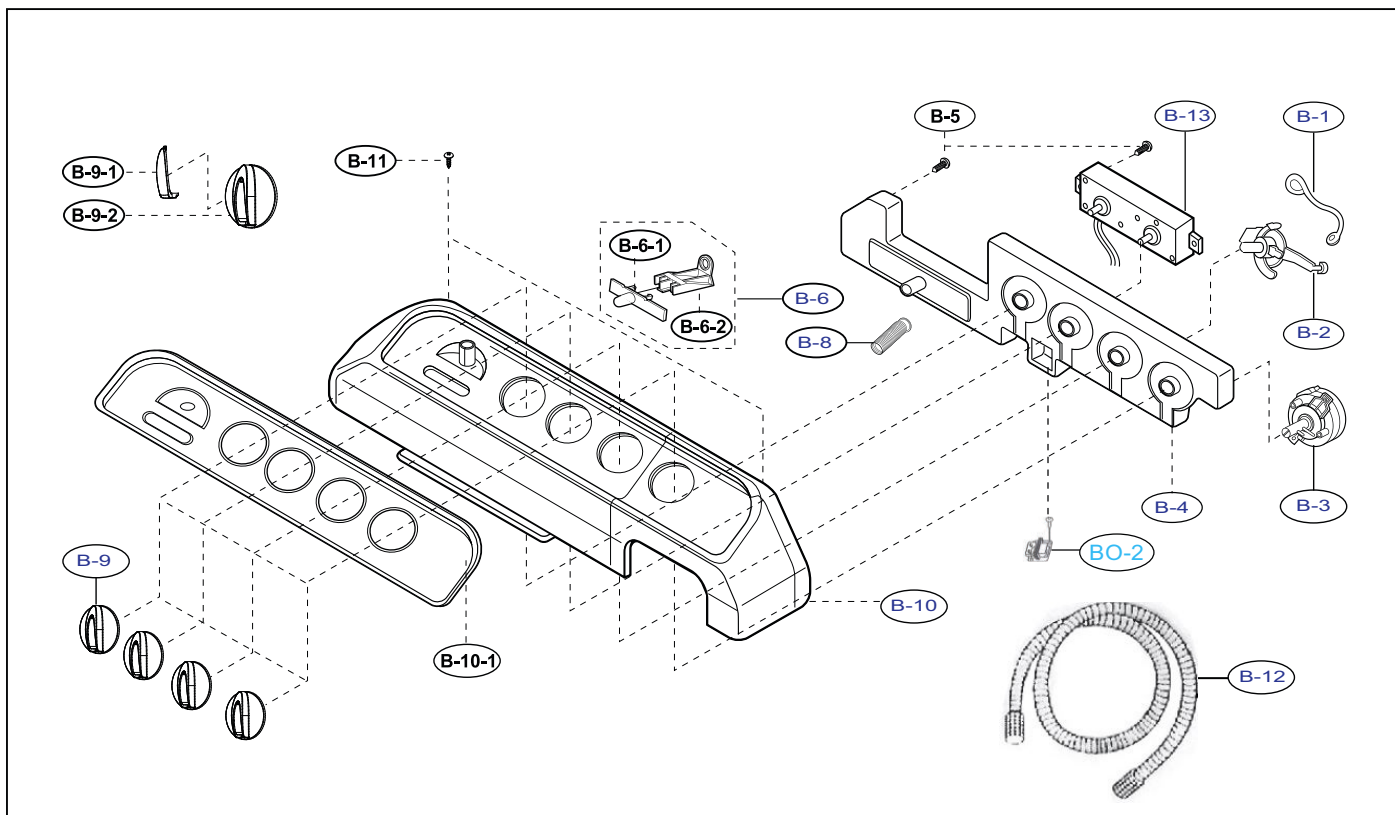
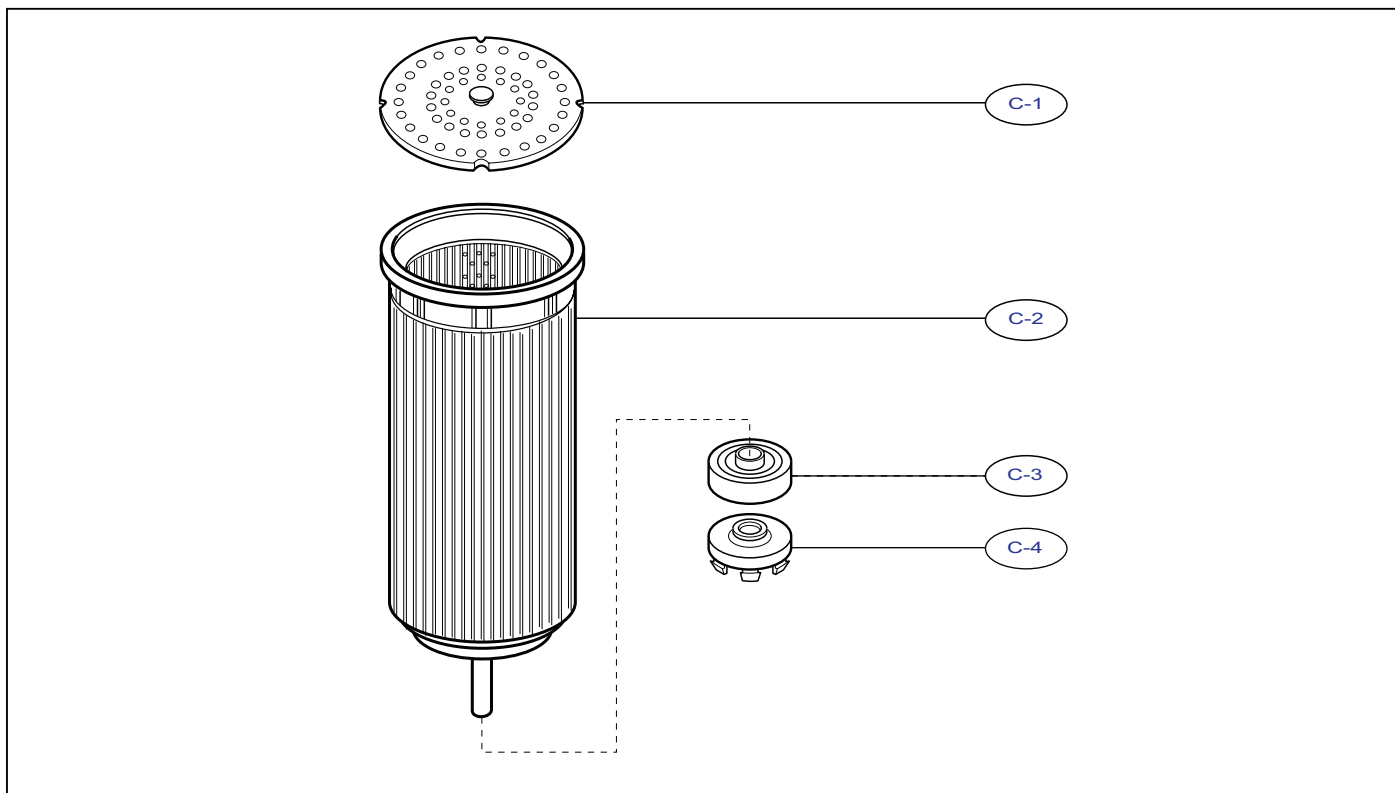


9. EXPLODED VIEWS AND REPLACEMENT PARTS LIST

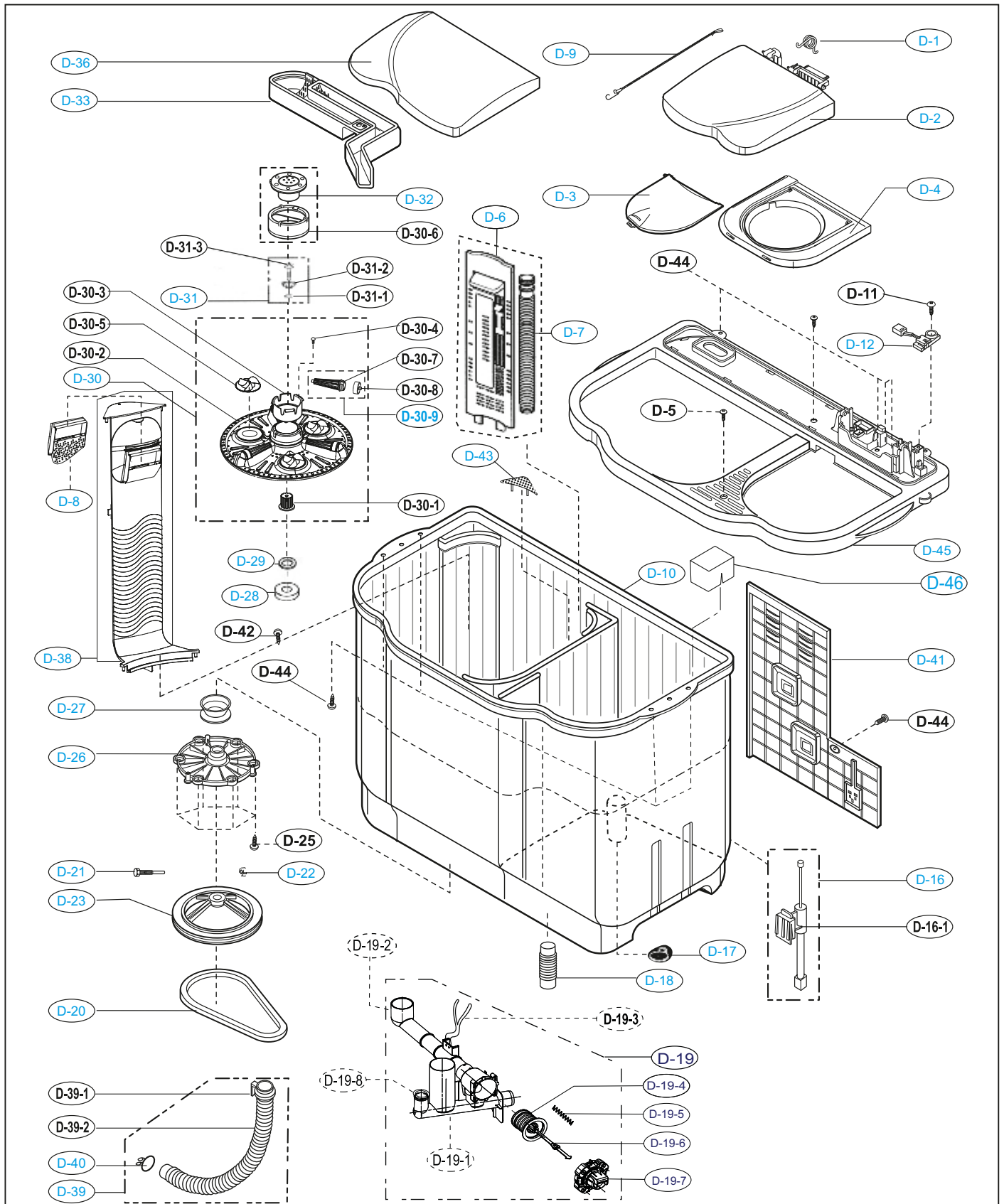
B. EXPLODED VIEWS OF PANEL PARTS



C. EXPLODED VIEWS OF SPIN DRYER BASKET PARTS



D. EXPLODED VIEWS OF TUB PARTS



E. EXPLODED VIEWS OF MOTOR PARTS

